



*Air for life*

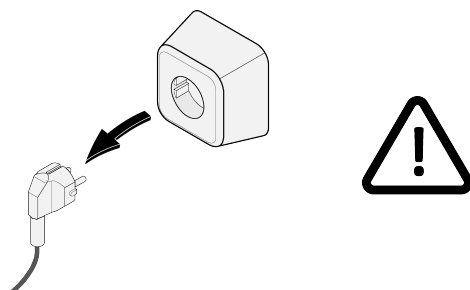
## Installation regulations

Heat exchanger Flair Enthalpy  
English

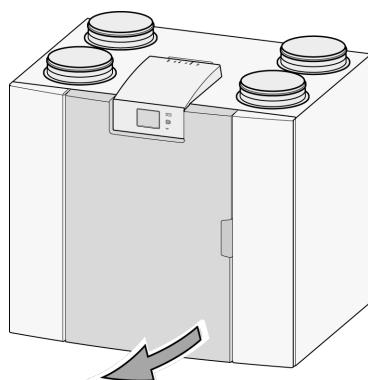


## Mounting Flair Enthalpy Heat Exchanger (Flair 325 used as example below)

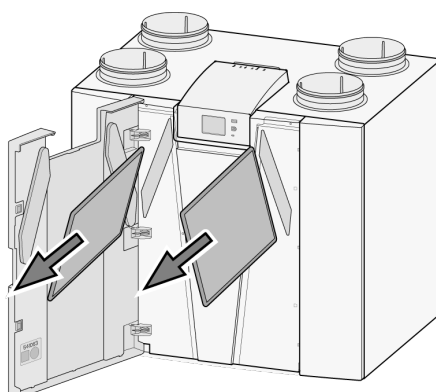
1



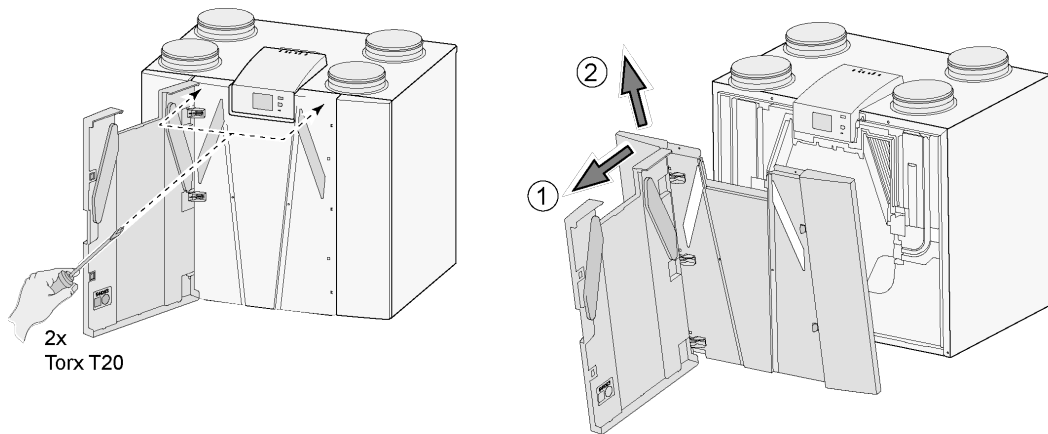
2



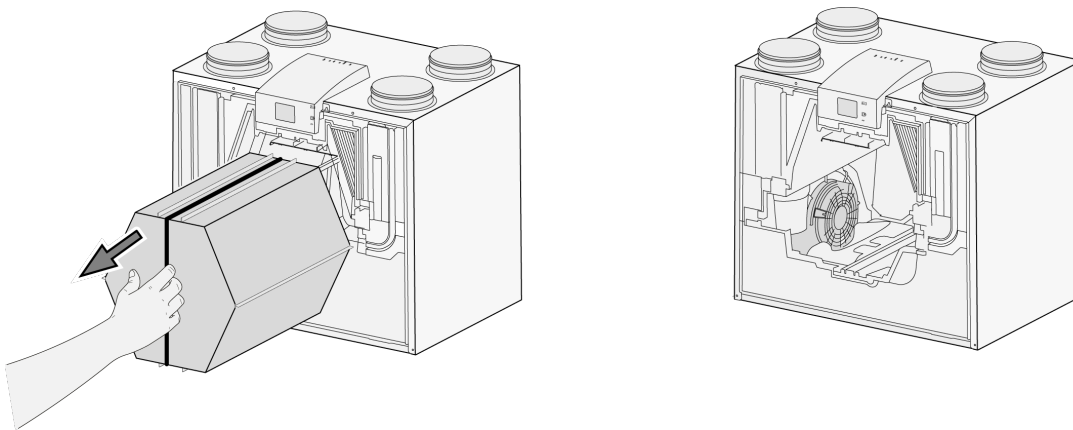
3



**4**

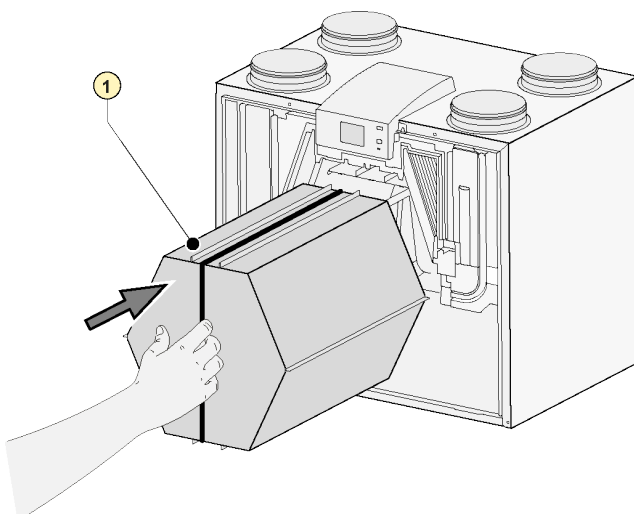


**5**



**6**

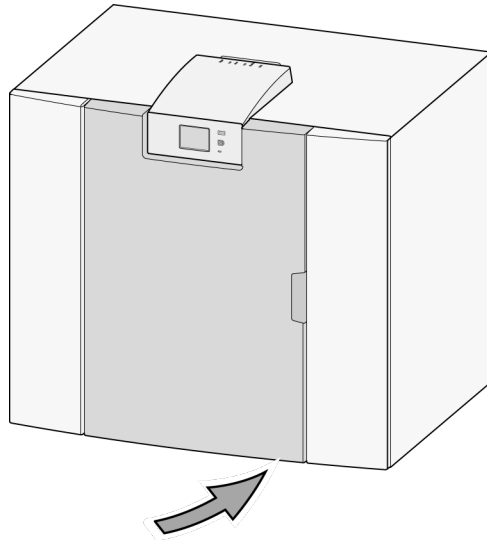
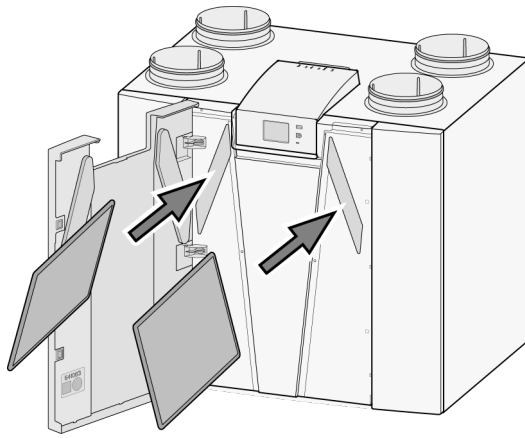
Place the enthalpy heat exchanger into the appliance.



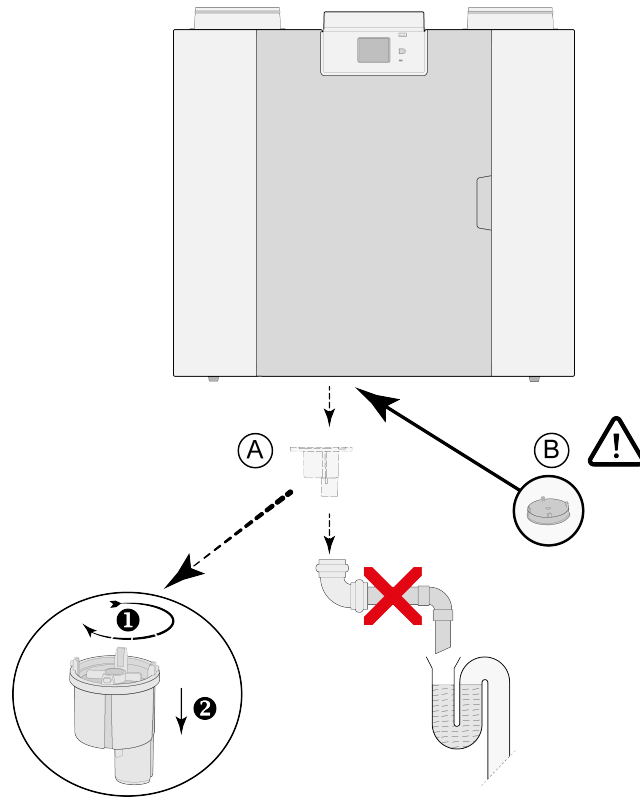
1 = Enthalpy heat exchanger  
(Flair 300, 325 and 400 article  
code: 532710)

(Enthalpy heat exchanger Flair  
450, 600 article code: 532962)

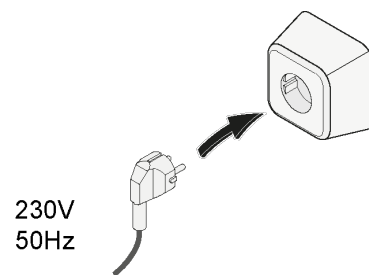
7



- 8** A = Remove condensate discharge.  
B = Close the condensate discharge with the supplied cap.



**9**





**Brink Climate Systems B.V.**  
P.O. Box 11, NL-7950AA Staphorst  
T: +31 (0) 522 46 99 44  
E: [info@brinkclimatesystems.nl](mailto:info@brinkclimatesystems.nl)  
[www.brinkclimatesystems.nl](http://www.brinkclimatesystems.nl)